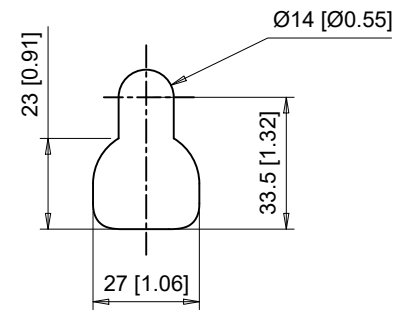
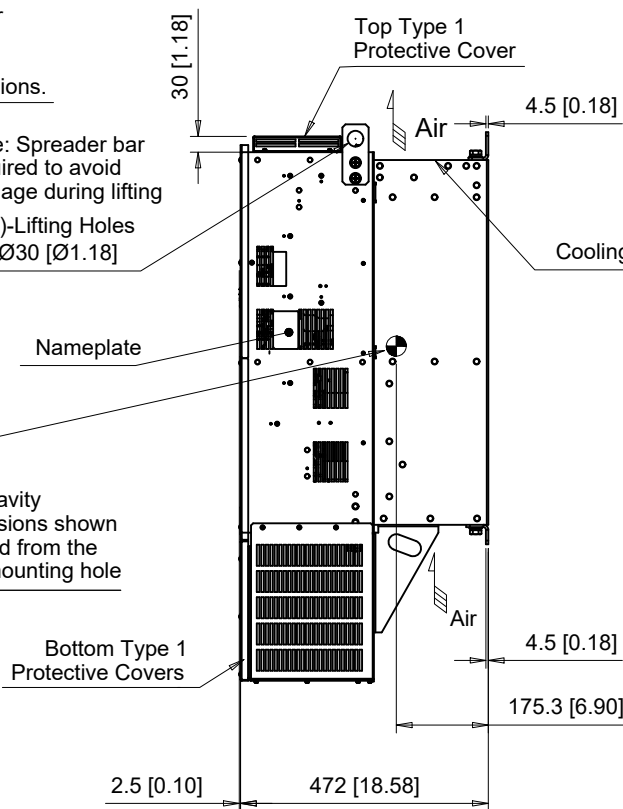


(4) Mounting Holes for M12 [1/2"] Screws. See Detail A for top mounting hole dimensions.

Note: Spreader bar required to avoid damage during lifting
(2)-Lifting Holes Ø30 [Ø1.18]



The dimensions shown are for an IP20 Type Drive that has been converted to a NEMA Type 1 Drive by adding the parts from NEMA 1 Kit part number 900-192-121-010

C/C:	INPUT VOLTAGE	WEIGHT	COOLING
GA80□	3-PHASE (VAC)	Kg (lb)	FANS
2360□□□	200 TO 240	113 (249)	3
2415□□□		128 (282)	3

□ denotes A-Z

1	REVISED KIT PART NUMBER
0	INITIAL RELEASE

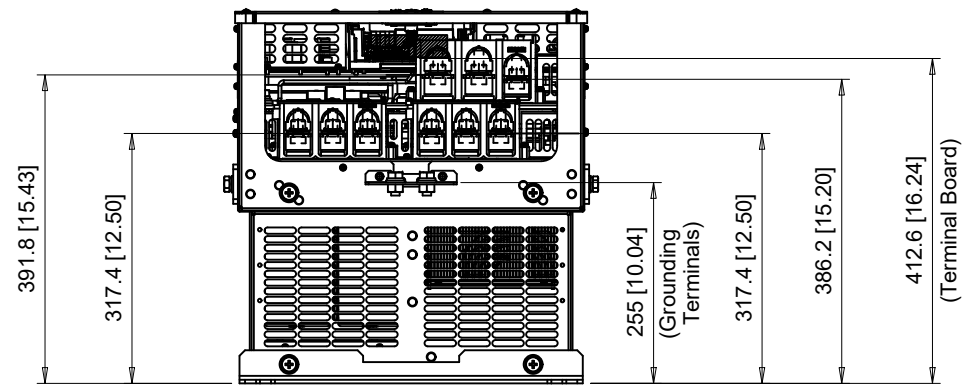
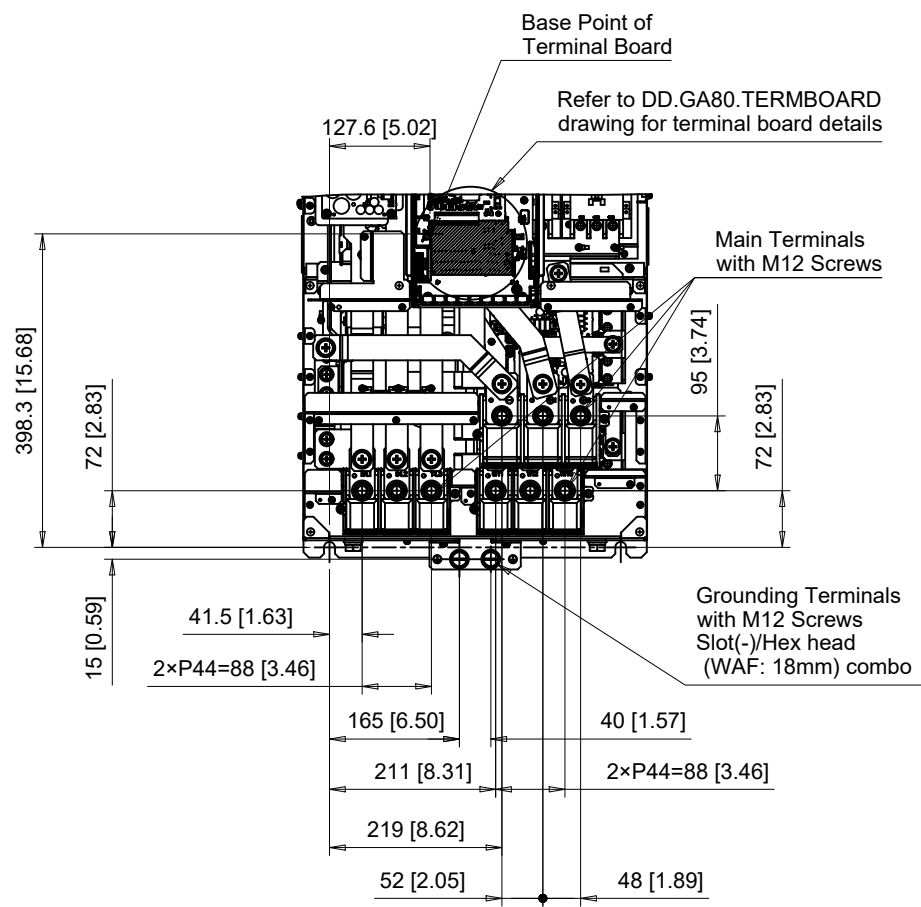


DRWN.	J. MATTAS	11-20-18
CHKD.	J. PIOTROWSKI	12-18-18
TECH.	L. UDDIN	1-8-19
APRV.	J. CAIRO	1-9-19

TITLE
GA800 DIMENSION DRAWING
FRAME SIZE 10A
NEMA TYPE 1 ENCLOSURE

SIZE	A	PAGE	1 OF 3
DWG.NO.	DD.GA80.FR10A.N1		

REV
1



C/C: GA80□	TERMINAL SYMBOL	WIRE RANGE AWG (mm²)	TERMINAL SCREW	CLAMPING TORQUE N.m. (lb.in.)
	R/L1, S/L2, T/L3	2/0 - 300 x 2P (70 - 150 x 2P)	M12	35 (310)
2360□□□	U/T1, V/T2, W/T3	2/0 - 300 x 2P (70 - 150 x 2P)	M12	35 (310)
2415□□□	-, +1, +3	4/0 - 400 x 2P (120 - 205 x 2P)	M12	35 (310)
	⊕	1 - 350 (120 - 240)	M12	32 - 40 (283 - 354)

□ Denotes A-Z
Note: Refer to applicable codes and standards for proper wire type and size.

1	REVISED KIT PART NUMBER
0	INITIAL RELEASE



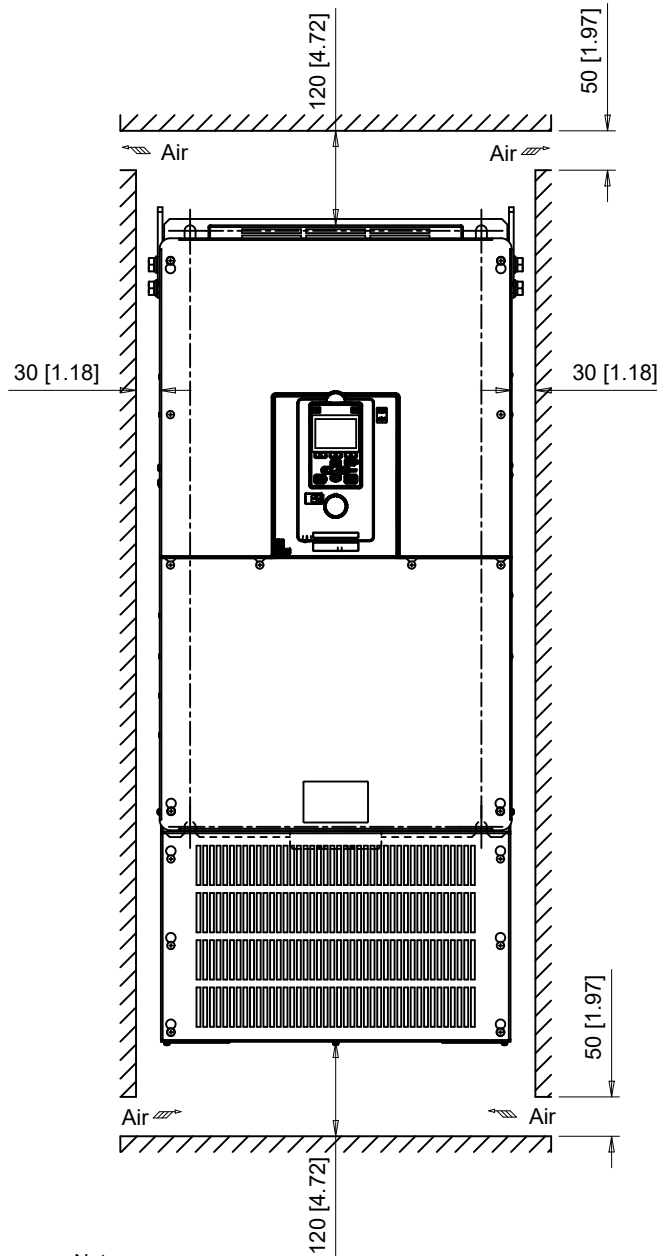
DRWN.	J. MATTAS	11-20-18
CHKD.	J. PIOTROWSKI	12-18-18
TECH.	L. UDDIN	1-8-19
APRV.	J. CAIRO	1-9-19

TITLE
GA800 DIMENSION DRAWING
FRAME SIZE 10A
NEMA TYPE 1 ENCLOSURE

SIZE	A	PAGE	2 OF 3
DWG.NO.		DD.GA80.FR10A.N1	

REV
1

Minimum Installation Clearances (Scale 1:10)



Note:
For alternate mounting configurations, consult manual.

1	REVISED KIT PART NUMBER
0	INITIAL RELEASE

YASKAWA

	UNITS MM [IN]
	SCALE ABOVE

DRWN.	J. MATTAS	11-20-18
CHKD.	J. PIOTROWSKI	12-18-18
TECH.	L. UDDIN	1-8-19
APRV.	J. CAIRO	1-9-19

TITLE	GA800 DIMENSION DRAWING FRAME SIZE 10A NEMA TYPE 1 ENCLOSURE
-------	--

SIZE	A	PAGE	3 OF 3
DWG.NO.	DD.GA80.FR10A.N1		

REV	1
-----	---